

# CLEO

FUNCTIONAL COAT STAND

CLOSE <sup>2</sup>  
CLOTHES

Sleek and functional, the CLEO coat stand will perfectly suit all your workspaces



5 double pegs for a perfect support and respect of the clothes



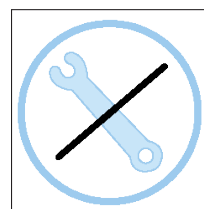
Practical umbrella stand (4)



Wide base with 4 feet for perfect stability  
+ Water retention base



Quick and easy assembly system without tools (5min)



Compact packaging to reduce the environmental impact



Cleo desk coat stand: Traditional with its modernised design, consists of a head with 5 double pegs, an umbrella stand, a water retainer and a cross-shaped metal base.



With its sleek and functional design, Cleo is an essential and sober accessory that will fit into any space easily

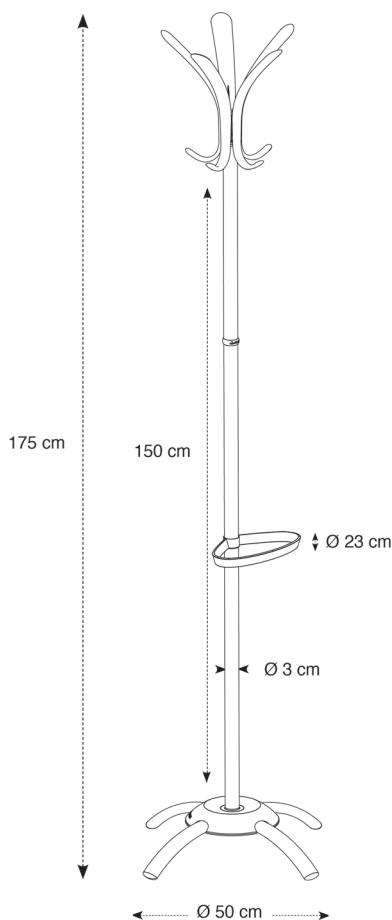
Sleek and functional, the CLEO coat stand will perfectly suit all your workspaces

PRODUCT FEATURES	
Reference	PMCLEO
EAN	3129710011346
Materials	Drum : Chromed steel
	Pegs : ABS
	Base cover : Steel - ABS
Color	Chrome - Black
Product dimensions	Height : 175 cm
	Drum : Ø 3 cm
	Base : Ø 50 cm
	Weight : 2.8 kg
Number of pegs	5 double Pegs (10)
Capacity of umbrellas	4
Base	4-foot base
Estimated assembly time	5 minutes - Without tools or screws
Origin	French design and development - Manufacturing in PRC
Guarantee	2 years

PACKAGING DIMENSIONS	
* Sales unit (x1SU) Box	Dim. : L. 77.8 cm x W. 23.4 cm x H. 9.6 cm
	Weight : 3.5 kg
* Box master (x1SU)	Dim. : L. 77.8 cm x W. 23.4 cm x H. 9.6 cm
	Weight : 3.5 kg



### EXISTING DESIGN :



Quand le beau rejoint l'utile